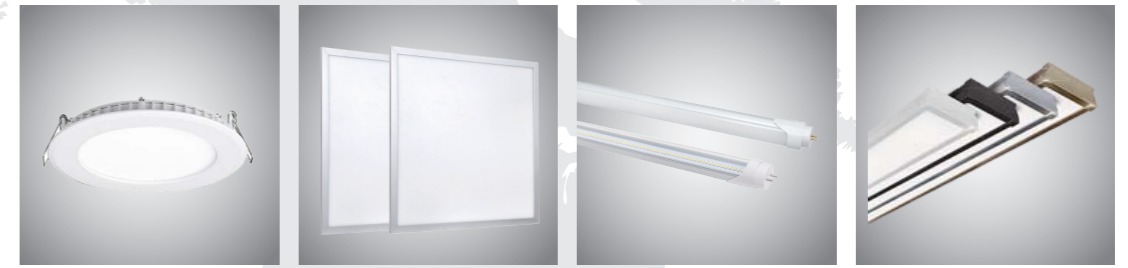
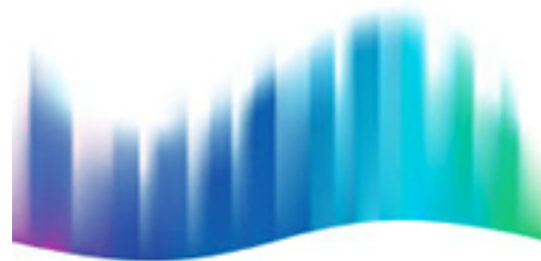


# 2018 NORTHERN LIGHTING PRODUCT CATALOGUE



Specialized in Industrial and  
Commercial LED lighting  
applications



## NORTHERN LIGHTING

Industrial & Commercial LED Lighting

### British Columbia

2210-12471 Horseshoe Way

Richmond BC V7A 4X6

Phone : 604 900 1434

E-mail : [info@northernlighting.ca](mailto:info@northernlighting.ca)

### Ontario

650 Woodlawn Road Unit 13

Guelph ON N1K 1B8

Phone : 519 822 5996

Toll free : +1 800 8941 LED (533)





## COMPANY PROFILE

NORTHERN LIGHTING is focused on providing Commercial and Industrial LED Lighting solutions for corporate clients as well as food processing sectors. With our experienced, hardworking team and our excellent product quality, Northern Lighting has managed to gain the trust of many of our valued customers throughout Canada. With branches in Ontario, British Columbia and Alberta we plan on opening more offices soon, so we are better able to serve our customers.

We supply only premium quality Industrial & Commercial LED lighting, with a 5 year warranty on all products. Our solutions, being factory direct, usually have a return on investment of under 2 years. That makes the switch to LED a much viable option.

Today Northern Lighting is working with renowned financial institutions, thereby helping businesses make the change into LED quite simple and without upfront costs. What we focus on is simply providing our clients with high quality LEDs, highest lumen/watt, high CRI lighting with a 5 year warranty. We work with our clients to establish the best solutions at the best costs, while keeping quality and safety at the forefront of what we do. We are really proud of our work! We see it not just as a business but as an added value solution, ensuring we meet every customer's needs to foster a safe and comfortable work environment and reduce carbon emissions.

To know more, we encourage you to contact our lighting consultants to see how your business can benefit from this win win situation. We can support you from inception through to completion. Our experienced lighting & electrical team can provide a FREE detailed site survey. To know more email [info@northernled.ca](mailto:info@northernled.ca)

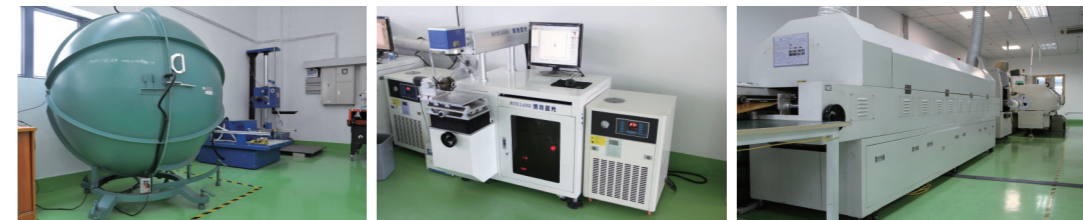
Office



Workshop



Testing instrument & Production equipment



## CONTENT

<p><b>P03</b> Downlight series</p>				
<p><b>P05</b> Panel light series</p>				
<p><b>P06</b> Linear light series</p>				
<p><b>P09</b> Industrial series</p>				

Downlight  
Series



NL-DL-4" 6" 8" 12"

## LED Slim Recessed Downlight

**MODEL: NL-DL4 / NL-DL6 /NL- IRIS/ NL-LUMIFLEX**

3" / 4" /6" / 8" / 12"

### Introduction

NORTHERN LED recessed downlight integrates 2835 SMD light source and a compact high efficient driver into a traditional CFL replacement ( recessed retrofit or surface mounted ceiling light)

It is suitable for 120V AC or 100-277V AC Input. With it's high quality Opal Polycarbonate Lens, it provides even light distribution without being too focused and causing glare.

It employs a high-tech IC solution to ensure the good stability and dimming system control. It is specially designed for US and Canada ceiling installation. No old style architectural housing or can required as it is IC rated and can go directly into the ceiling.

Application: Suitable for commercial and residential applications like offices, supermarkets, shops, schools, hotels, restaurants, workshop, homes etc.



IRIS 3 inch recessed  
Rotatable and Adjustable Angle



LUMIFLEX 4 inch recessed  
Rotatable and Adjustable Angle

### Technical Specification

Voltage: AC100-277V (DIM: AC120V)  
Power: 9W / 11W / 12W / 14W / 15W  
Power Factor: >0.9  
Beam angle: 90° 120°  
CCT: 2700K 3000K 4000K 5000K

Lifespan: 50000hrs  
CRI: >80  
IIC rated  
Dimmable: Triac dimmable  
Surface color: White / Brushed nickel/Black

Model	Watt	CRI	Lumens	Colour Temp
NL-DL4 (cETL, ES) 4 inch	9W	>80 CRI	550	2700K-5000K
NL-DL6 (cETL, ES) 6 inch	12W	>80 CRI	1000	2700K-5000K
NL-DL8 (cETL, ES) 8inch	18W	>80 CRI	1260	2700K-5000K
NL-DL12 (cETL, ES) 12 inch	24W	>80 CRI	1680	2700K-5000K
NL-IRIS-8W-3 (cETL, ES) 3 inch	8W	>80 CRI	720	2700K-5000K
NL-LUMIFLEX 20W (cETL, ES) 4 inch	20W	>80 CRI	990	2700K-5000K

## Downlight Series



NLCDL-6"



NLCDL-8"

## LED Downlight

**MODEL: NL-CDL**

4" / 6" / 8" / 10"

## Introduction

NORTHERN LED retrofit downlight integrates CREE COB light source and a compact high efficient driver into a traditional CFL replacement.

It employs UL listed 0-10V dimming LED driver. 6063 aluminium heat sink is used and different length is available to ensure enough heat dissipation.

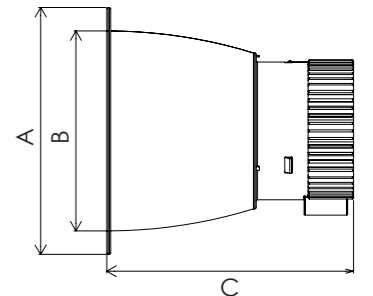
Comes with fire-rated junction box and 0-10V dimmable driver, reliable quality and excellent dimming effect.

Application: Suitable for commercial and residential applications like offices, supermarkets, shops, schools, hotels, restaurants, workshops, warehouse, homes etc.



## Appearance Parameters

Model	Dimension (in/mm)			Product Size (in/mm)	Net Weight (kg)
	A	B	C		
NL-CDL-15W/20W (4")	5.59/ Ø142	4.09/ Ø104	7.28/ 185	5.59x7.28inch Ø142x185mm	1.5
NL-CDL-20W (6")	7.48/ Ø190	6.06/ Ø154	7.48/ 190	7.48x7.48inch Ø190x190mm	1.6
NL-CDL-25W (6")	7.48/ Ø190	6.06/ Ø154	8.07/ 205	7.48x8.07inch Ø190x205mm	1.75
NL-CDL-25W/35W (8")	9.29/ Ø236	7.48/ Ø190	8.66/ 220	9.29x9.25inch Ø236x220mm	1.7
NL-CDL-42W (8")	9.29/ Ø236	7.48/ Ø236	9.25/ 220	9.29x9.25inch Ø236x220mm	1.85
NL-CDL-42W/50W(0)	10.87/ Ø276	9.17/ Ø233	9.25/ 235	10.87x9.25inch Ø276x235mm	2.3



## Technical Specification

Voltage: AC100-277V

Power: 15W / 20W / 25W / 35W / 42W / 50W

Power Factor: >0.9

Beam angle: 40°

CCT: 2700K 3000K 4000K 5000K

Lifespan: 50000hrs

CRI: >80

IP20

Dimmable: 0-10V dimmable

Surface color: Silver

Model	Lumen (±5%)			
	2700K	3000K	4000K	5000K
NL-CDL-20W (4") (UL&cUL, ES)	1100	1140	1180	1200
NL-CDL-25W (6") (UL&cUL, ES)	1620	1660	1870	1900
NL-CDL-35W (8") (UL&cUL, ES)	2550	2650	2800	2800
NL-CDL-42W (8") (UL&cUL, ES)	3200	3400	3600	3600
NL-CDL-50W (10") (UL&cUL, ES)	3500	3700	4000	4000

## Panel light Series



# LED Panel Light

**MODEL: NL-PL2X2 / 1X4 / 2X4**

## Introduction

NORTHERN LIGHTING panel light is a modern general lighting fixture producing high efficiency.

LM80 qualified LEDs provide high CRI>80 and high efficiency LPW>85, long lifespan and high energy saving.

Fire-rated junction box design, easy installation.

0-10V dimmable driver share excellent quality and dimming effect .

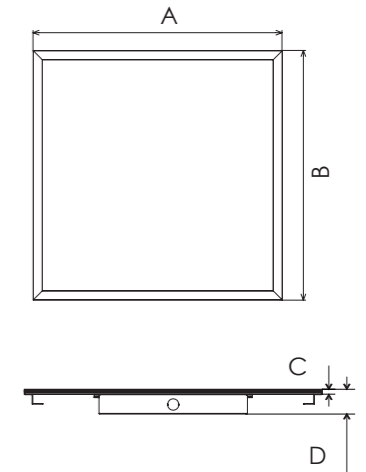
Bicolour Panels with changeable colour temperature ranging from warm to cool 3000K-5000K and Dimmable.

Handheld remote and wall controller available for Bicolour Panels

Application: Suitable for commercial and residential applications like offices, supermarkets, shops, schools, hotels, restaurants, workshop, homes etc.



NL Bicolour Panel



### Appearance Parameters

Model	Dimension (in/mm)				Product Size (in/mm)	Net Weight (kg)
	A	B	C	D		
NL-PL2X2	23.74/603	23.74/603	0.39/10	1.97/50	23.74x23.74x0.39inch 603x603x10mm	4.8
NL-PL1X4	47.76/1213	11.93/303	0.39/10	1.97/50	47.76x11.93x0.39inch 1213x303x10mm	4.9
NL-PL2X4	47.76/1213	23.74/603	0.39/10	1.97/50	47.76x23.74x0.39inch 1213x603x10mm	9.2

### Technical Specification

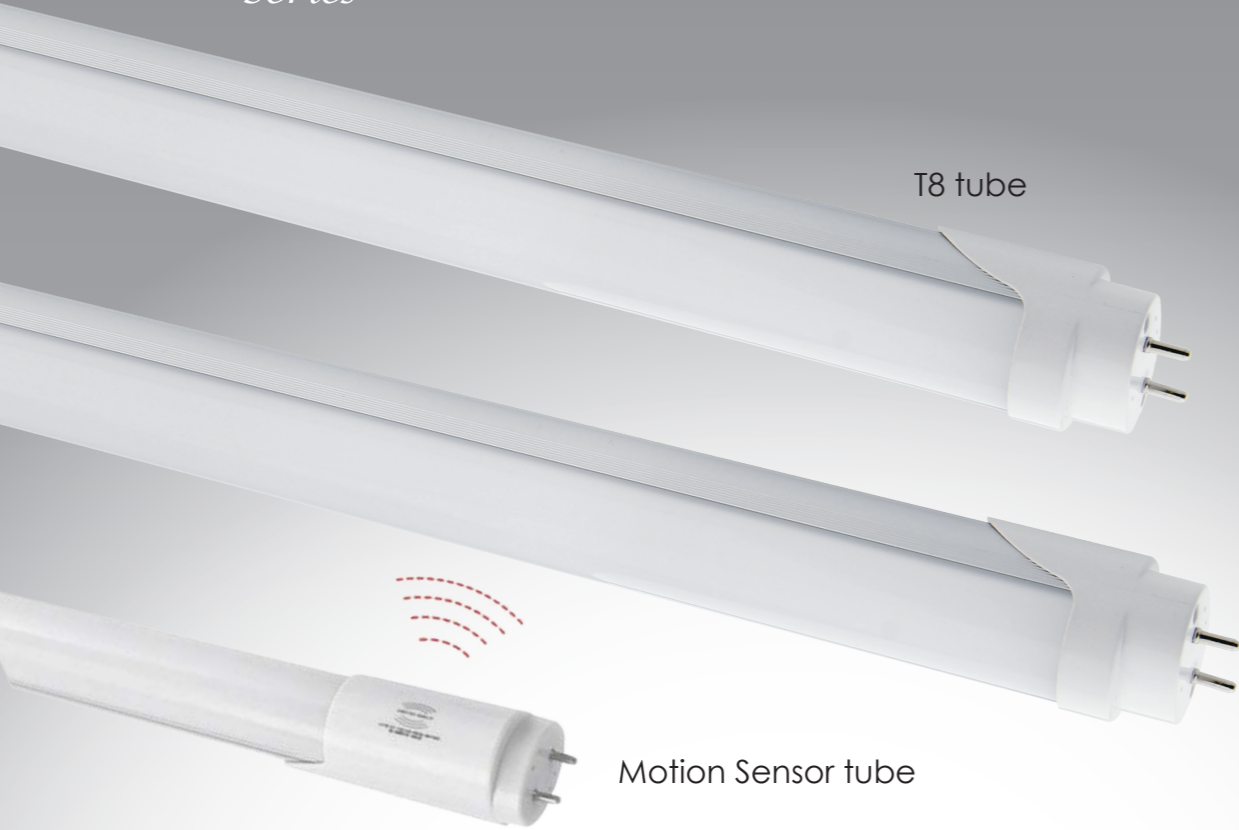
Voltage: AC100-277V / 347V  
 Power: 40W / 40W / 50W / 60W  
 Power Factor: >0.9  
 Beam angle: 120°  
 CCT: 2700K 3000K 4000K 5000K

Lifespan: 50000hrs  
 CRI: >80  
 Efficacy: >130 Lumen/Watt  
 Dimmable: 0-10V dimmable  
 Surface color: White / Silver

Model	Certificate		Wattage	Lumen (±5%)
NL-BIC-2X2 Bicolour NL-PL-2X2-40W	(UL&cUL, DLC ) (UL&cUL, DLC, TUV)	CCT Changing, Dimmable Dimmable	40W	5200
NL-BIC-1X4 Bicolour NL-PL-1X4-40W	(UL&cUL, DLC) (UL&cUL, DLC, TUV)	CCT Changing, Dimmable Dimmable	40W	5200
NL-BIC-2X4 Bicolour NL-PL2X4-50W	(UL&cUL, DLC) (UL&cUL, DLC, TUV)	CCT Changing, Dimmable Dimmable	50W	6500
NL-BIC-2X4 Bicolour NL-PL2X4-60W	(UL&cUL, DLC) (UL&cUL, DLC, TUV)	CCT Changing, Dimmable Dimmable	60W	7800

Accessories :  
 Handheld remote controller - NL-BIC-RC  
 Wall mounted controller - NL-BIC-WC  
 Suspending accessories - SSP  
 Surface mounting frames - SMF

Tube light Series



## PC+Aluminum LED Tube

### Compatible Ballast - cUL LED Tube Motion Sensor cUL Tube

PC+AL LED Tube light adopts LM-80 2835 SMD LED with high brightness and minimal light decay.

Excellent cooling system with >0.8mm thickness AL6063 aluminum heatsink. Compatible Ballast - Works with or without ballast.

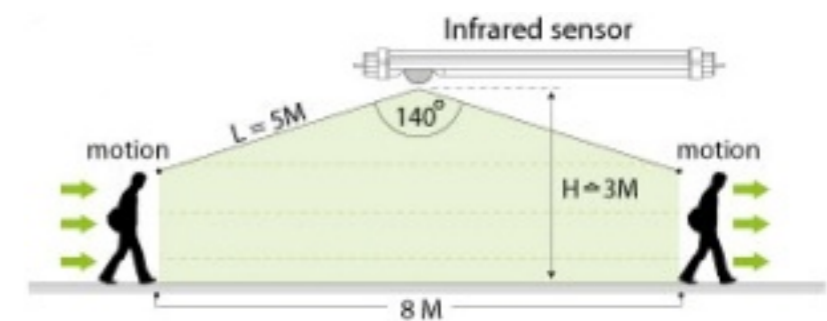
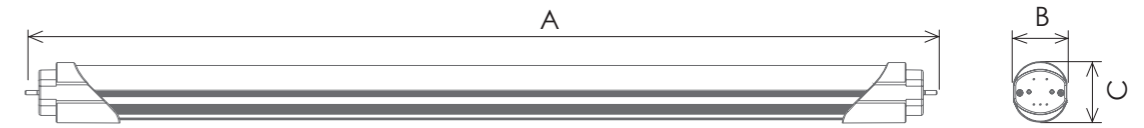
Clear or frosted cover optional. V0 fire-rated PC cover, up to 95% light transmittance.

Reliable isolated driver solutions with 3750V voltage withstand, branded high quality capacitor and IC solution ensures excellent working performance.

Application: Suitable for commercial and residential applications like offices, supermarkets, shops, schools, hotels, restaurants, workshop, warehouse, parkades etc.



## Appearance Parameters



## Technical Specification

Voltage: AC100-277V & 347V  
Power: 12W / 18W / 36W  
Power Factor: ≥0.9  
Beam angle: 120°  
Size: 2ft 3ft 4ft 5ft 6ft 8ft

Lifespan: 50000hrs  
CRI: ≥80  
IIP Rating: IP44  
Efficacy: 140 LpW and 150 LpW  
Diffuser: Clear / Frosted

Model	Wattage	Colour Temp	Certification
NL-T8-4FT-12W-ID (LOW WATTAGE)	12W	3000K-6500K	DLC, UL&cUL
NL-T8-4FT-18W-ID-C-C (PLUG&PLAY)	18W	3000K-6500K	DLC, UL&cUL
NL-T8-4FT-18W-ID-HV (347V)	18W	3000K-6500K	DLC, UL&cUL
NL-T8-8FT-36W-ID (NON P&P 8 FT)	36W	3000K-6500K	DLC, UL&cUL
NL-T8-8FT-36W-ID-HV (347V NON P&P)	36W	3000K-6500K	DLC, UL&cUL
NL-T8-4FT-18W-ID-HV (MOTION SENSOR)	18W	3000K-6500K	DLC, cETL

LM79 LM80 test report available.

Tube light Series



T5 LED TUBE

## T5 LED tube lights

**MODEL: NL-T5-15W / NL-T5-22W / NL-T5-25W / NL-T5-30W**

### Introduction

NORTHERN LED T5 lamp is unique designed for direct replacement of traditional T5. External driver, one driver for every 2 tubes

High brightness with over 120 lumen/watts & extremely energy efficient with over 65% energy savings.

Sturdy and sleek design. Aluminum base and aluminum housing. Clear and frosted cover lens available. Dimmable available.

Full range of wattage and sizes are available for wide selection.

Application: Widely used as commercial lighting in shops, hotels, supermarkets and offices, warehouse, garage, mechanical workshops, parking lots, back offices, etc.



T5 LED tubes come with an external driver. Also available is the fixture for T5 LED tubes.

### Technical Specification

Voltage: AC100-382V  
 Power: 15W / 20W / 22W / 25W / 30W  
 Power Factor:  $\geq 0.99$   
 Efficacy:  $>140$  Lumen/watt  
 Material: Aluminum base and housing

Lifespan: 50000hrs  
 CRI:  $\geq 80$   
 CCT: 2700-7000K  
 Dimmable: option available  
 Surface color: Ivory white

Model	Certificate	Wattage	Lumens	Colour Temp
NL-T5-15W1200	(UL, cUL, DLC)	15W	2100 Lumens	2700K-7000K
NL-T5-22W1200	(UL, cUL, DLC)	22W	3080 Lumens	2700K-7000K
NL-T5-25W1200	(UL, cUL, DLC)	25W	3500 Lumens	2700K-7000K
NL-T5-30W1200	(UL, cUL, DLC)	30W	4200 Lumens	2700K-7000K

IP66 Endurance Series



IP65 Endurance designer series

NL-LN4-40

## IK10 IP66 LED Endurance Series

**MODEL: NL-LN4-40, NL-LN5-50, NL-LN6-60  
NL-FT-2FT, NL-FT-4FT, NL-FT-8FT**

### Introduction

Up to 65% Energy savings – Over traditional fluorescent modular luminaire  
Maintenance Free – No requirement to change lamps  
High Output – Directly replaces same length T5 & outperforms T8 fluorescent.

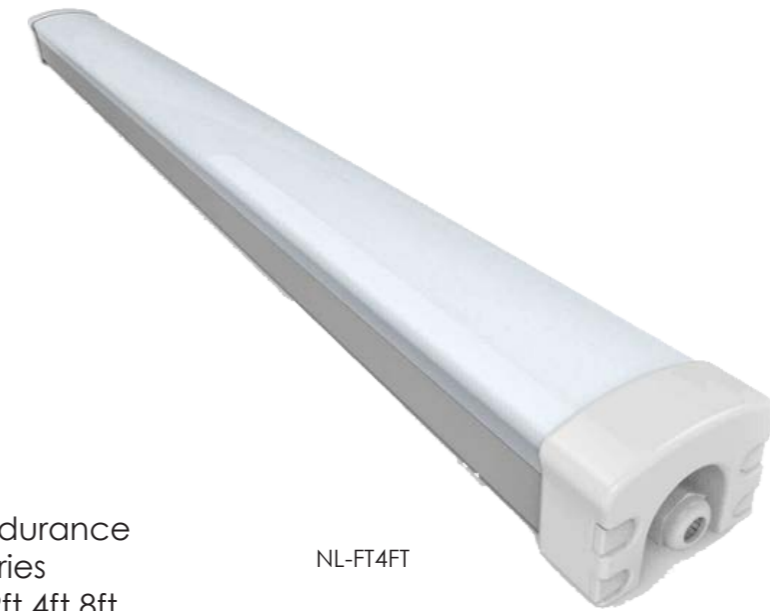
Sealed Construction – No cleaning required & no issue with dust or moisture ingress IP66 Waterproof design. IK10 Shatterproof  
No IR or UV light output – does not attract flies or insects  
Safe disposal – No mercury or other heavy metal content as with fluorescent

Sleek and modular design, rugged Construction – Excellent impact resistance for use in harsh environments. RoHS/CE certified and UL listed - Compliant with international standards

Options – Dimming, microwave motion sensing, auto-dimming & 3 hour Emergency. Also has Linking function to link multiple units.

Diffuser Options – Frosted or Transparent. 2feet, 4feet, 8feet

Application: Suitable for commercial applications like shops, supermarkets, kitchens, hotels, restaurants, workshop, warehouse, factories, offices, labs, hospitals, high moisture areas etc.



NL-FT4FT

IK10 IP66 Endurance Industrial series  
Fortitude - 2ft 4ft 8ft

### Technical Specification

Voltage: AC100-277V  
Power: 30W / 50W  
Power Factor: ≥0.9  
Beam angle: 180°  
CCT: 3000K -6100K

Lifespan: 50000hrs  
CRI: ≥80 Ra  
IP66 / IK 10  
Linkable: Daisy Chain optional  
Diffuser: Clear / Opal

Model	Wattage	Lumen Output	Product Size	Certificate	Colour Temp
NL-LN4-40	40W	4000 lm	4 FEET	DLC, UL, cUL	3000 - 6100K
NL-LN5-50	50W	5000 lm	5 FEET	DLC, UL, cUL	3000 - 6100K
NL-LN6-60	60W	6000 lm	5 FEET	DLC, UL, cUL	3000 - 6100K
NL-FT-2FT	30W	3750 lm	2 FEET	DLC, UL, cUL	3000°K-5000°K
NL-FT-4FT	40W	5000 lm	4 FEET	DLC, UL, cUL	3000°K-5000°K
NL-FT-8FT	80W	10500 lm	8 FEET	DLC, UL, cUL	3000°K-5000°K

Accessories :  
Suspending accessories LSP  
Linkable accessories for seamless and daisy chain LNK, LNK-SM

LM79 test report available.



*Highbay series*



Industrial grade UFO Highbay with Occupancy Sensor

## Northern Lighting LED UFO Highbay

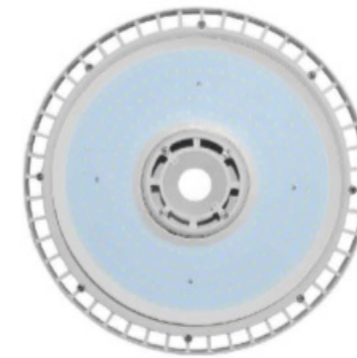
**MODEL: NL-DG / NL-UFO 170 lumens/Watt**

100W/ 150W/ 200W/ 300W

### Introduction

NORTHERN LIGHTING Highbays give upto 75% Energy savings Over traditional metal halide lighting. Maintenance Free. No requirement to replace for up to 25 years or more\* Easy Fit – Easily replaces existing fittings with low overall weight reducing ceiling load. Instant start-up – No strike & re-strike time of up to 20 minutes as with metal halide. Excellent Colour rendering High Lumen Output 170 Lumen/ Watt Range of colour temperatures available No IR or UV light output – Will not attract flies or insects Safe disposal – No mercury or other heavy metal content as with metal halide lighting Options – Microwave motion sensing, daylight linking and dimming control.

Application: Suitable for commercial and residential applications like warehouses, factories, mechanical, workshops, garages, restaurants, workshop etc.



NLUFO Highbay



NLDG 300W Highbay with Acrylic Reflector

### Technical Specification

Voltage: 100-305V and 347V  
 Power: 100W / 150W / 200W  
 Power Factor: 0.98  
 Beam angle: 90° and 60°  
 CCT: 2600K - 5800K

Lifespan: 60,000hrs  
 CRI: 82  
 Diffuser type: frosted or Clear  
 Lumen Efficacy: 170 Lm/W  
 Reflector: Acrylic / Aluminum

Model	Wattage	Lumen Output	Colour Temp	Replaces
NL-UFO-100W (UL, cUL, DLC)	100W	17,000 Lm	2600-5800	400W HPS
NL-UFO-150W (UL, cUL, DLC)	150W	25,500 Lm	2600-5800	400W HPS
NL-UFO-200W (UL, cUL, DLC)	200W	34,000 Lm	2600-5800	600W HPS
NL-UFO-250W (UL, cUL, DLC)	300W	38,000 Lm	2600-5800	1,180W HPS
NL-DG-100W (UL, cUL, DLC)	100W	11,500 Lm	2600-5800	250W HPS
NL-DG-150W (UL, cUL, DLC)	150W	17,250 Lm	2600-5800	400W HPS
NL-DG-200W (UL, cUL, DLC)	200W	23,000 Lm	2600-5800	600W HPS
NL-DG-300W (UL, cUL, DLC)	300W	40,500 Lm	2600-5800	1,180W HPS



Highbay



# Northern Lighting LED NSF Highbay

**MODEL: 100W / 150W / 200W**

## Introduction

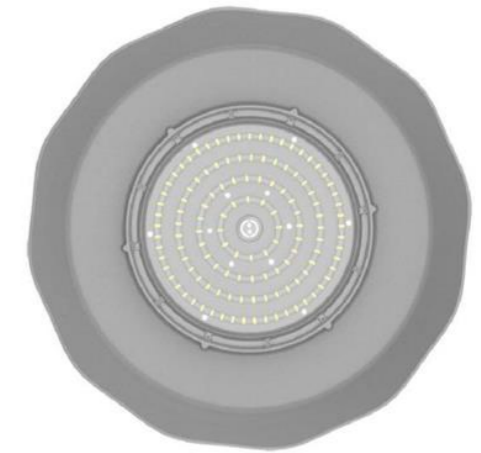
Northern Lighting NSF certified HiBay is specifically designed and built for food processing lighting applications. It is built for ultra - high safety performance. This light is corrosion - resistant, wash down ready with IP66 weatherproof, IP69K rated for high pressure and steam cleaning to meet all of your safety requirements.

Food - processing application allows no glass. Our NSF certified Highbay adopts PC lens instead of glass(preventing shards falling into foods in processing plants), Moreover, there's no any exposed screws on the light, and all screws are skillfully hidden inside for the sake of safety. The surface of the heat sink is outdoor usage powder coating, it contains no toxic materials, highly resistant to corrosion.

Application: Suitable for warehouses, food processing and food distribution plants application, garages, workshops, etc.



## Appearance Parameters



IP66 waterproof design

Corrosion proof

No Glass

No exposed screws

## Technical Specification

Voltage: AC100-277V & 277-480V

Power:100W / 150W / 200W

Power Factor: >0.9

Beam angle: 60, 90 & 120°

CCT: 3000K - 5700K

0-10V Dimming Control (Optional)

Lifespan: 50000hrs

CRI: >80 Ra

IP66 IP69K

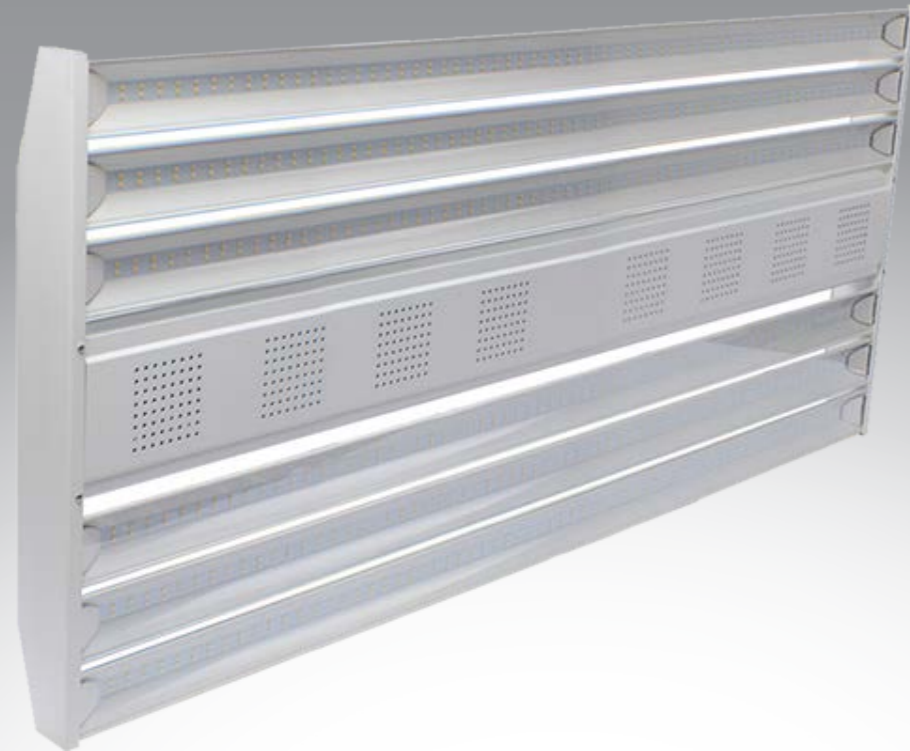
Corrosion proof, no glass

Housing color: White, Black, Silver Grey

Microwave & Daylight Sensor Control (Optional)

Model	Lumen Output	Colour Temp	Wattage	Replaces
NL-NSFHB100	13,500	3000-5700K	100W	300W
NL-NSFHB150	20,250	3000-5700K	150W	450-650W
NL-NSFHB200	27,000	3000-5700K	200W	700-800W

## Troffer Highbay series



Linear LED Troffer Highbay 300W

# NORTHERN Linear LED Troffer Highbay

**MODEL: NL-IF-100, NL-IF-200, NL-IF-300**

100W / 200W / 300W

## Introduction

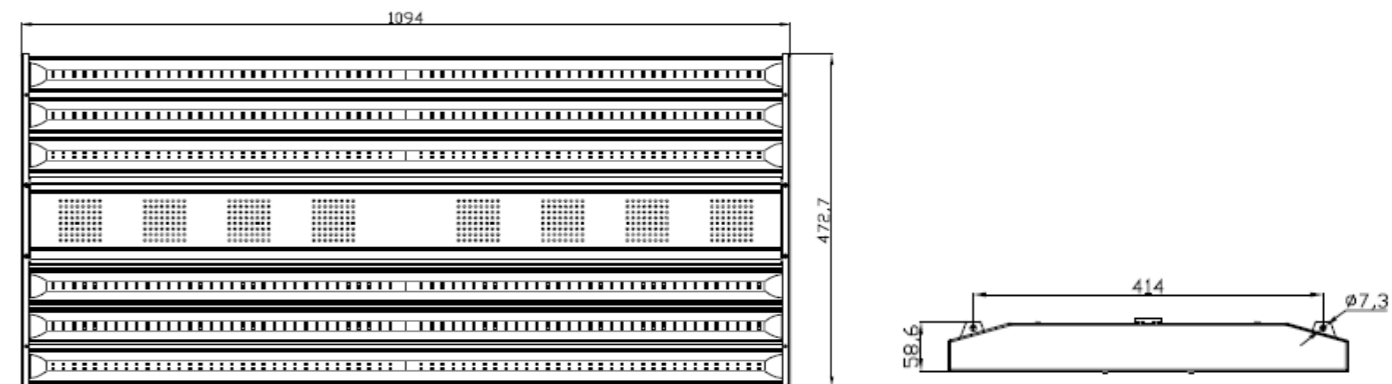
NORTHERN LED Linear Highbays give up to 75% Energy savings

- Features - Aluminum heatsink
- Philips Lumileds DS207 chip ADAYO driver
- Efficacy - Up to 130lm/w
- Warranty - 5 years warranty
- Certificate&Report - CUL / DLC / CE / RoHS / PSE LM-80 / IES
- Dimmable - Optional
- IP Rating - IP20
- Lifespan - 80,000H at 40°C ambient temperature
- Working Temperature - between -40 +50°C
- Installation Hanging rope / Adjustable bracket
- Material - Aluminum + PC
- Accessory - Occupancy / Daylight Sensor / DALI Dimming

Application: Suitable for commercial and industrial applications like warehouses, factories, mechanical, workshops, garages, supermarkets etc.



## Appearance Parameters



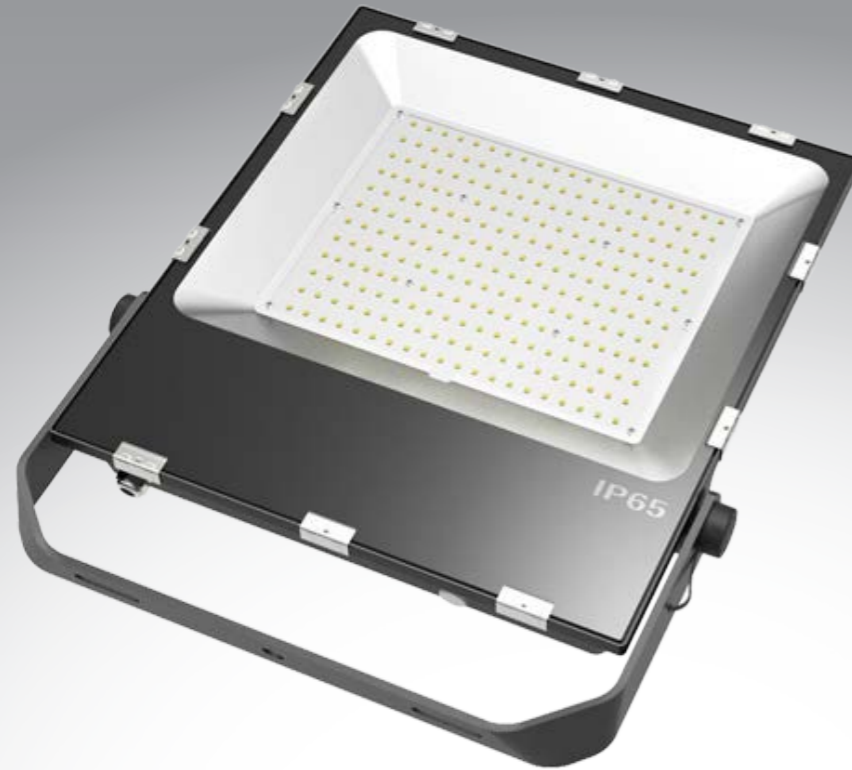
## Technical Specification

Voltage: 120-277V and 347V  
 Power: 100W / 200W / 300W  
 Power Factor: >0.95  
 Beam angle: 120°  
 CCT: 2700K - 6500K

Lifespan: 80,000hrs  
 CRI: >80  
 Lumen output : 39,000 lumens  
 Lumen Efficacy: 130 Lm/Wt  
 Material : Aluminum & PC

Model	Wattage	Lumen Output	Efficacy	CRI
NL-IF-100 (UL, cUL, DLC)	100W	13,000 Lm	130 Lm/watt	>80
NL-IF-200 (UL, cUL, DLC)	200W	26,000 Lm	130 Lm/watt	>80
NL-IF-300 (UL, cUL, DLC)	300W	39,000 Lm	130 Lm/watt	>80

*Flood light  
Series*



## Floodlight / Projector Light - 160 Lm/wt

**MODEL: NL-FL100W / NL-FL150W / NL-FL200W**

### Introduction

NORTHERN LIGHTING High-brightness SMD Floodlight has a durable sturdy built with a unique design.

IP67 Air Pressure Regulator - Regulates the pressure Effectively.  
No UV rays, Flame retardant. IP65 Water proof and dustproof design.

Equipped with toughened glass, with high light transmission and good retraction performance and more safety.

Specially designed radiator dissipates an enormous amount of heat very quickly. The radiator controls the temperature of lamp, under 55° C through heat conduction, heat convection, heat radiation. It allows the LED chips to achieve its highest performance, lower light decay, and long-lifespan.



Application: Advertising Boards, Highways, Public Squares, Buildings, Bridges, Parking Lots etc.



Slim design LED projector

### Technical Specification

Voltage: 100-240V / 347V  
Power: 100W / 150W / 200W  
300-600W 800W 1000W  
Lumen output: 160 Lumen/watt  
Power Factor: 0.95

Lifespan: 50000hrs  
CRI: >80 Ra  
IP65 waterproof design  
CCT: 2700K - 6500K  
Remote control optional

Model	Lumen Output	Colour Temperature	Watts	CRI
NL-FL100W	14,500 Lumens	2700K-6500K	100 Watts	>80
NL-FL150W	21,750 Lumens	2700K-6500K	150 Watts	>80
NL-FL200W	29,000 Lumens	2700K-6500K	200 Watts	>80
NL-FL300W	48,000 Lumens	2700K-6500K	300 Watts	>80
NL-FL500W	80,000 Lumens	2700K-6500K	500 Watts	>80
NL-FL800W	128,000 Lumens	2700K-6500K	800 Watts	>80
NL-FL1000W	160,000 Lumens	2700K-6500K	1000 Watts	>80

LM79 / LM80 test report available.

LED Canopy  
Lights/ Gas  
Station Lights

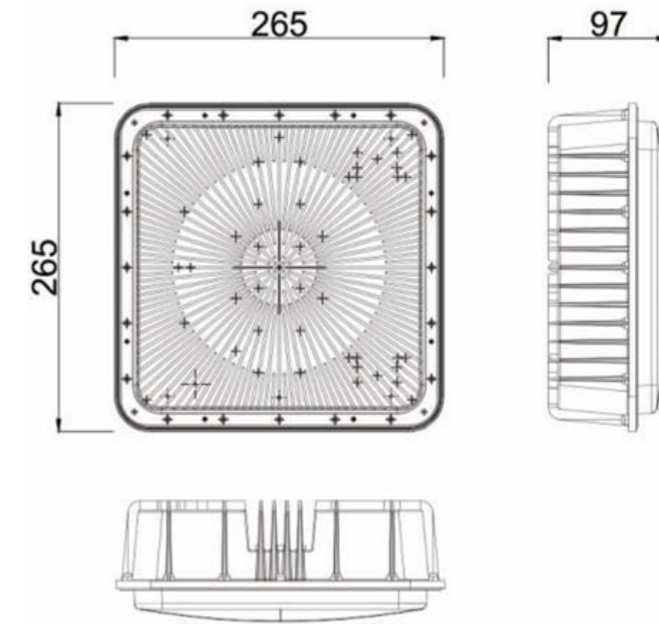
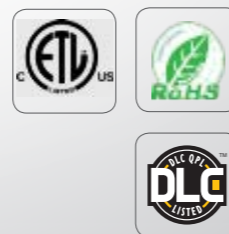


## Canopy Lights / Gas Station Lights

**MODEL: NL-CP-50W / NL-CP-75W**

### Introduction

NORTHERN LIGHTING Industrial LED Canopy light feature a high efficiency die cast aluminum body with Pure Aluminium heat sink Silicone seals, shock resistant, corrosion proof, vandal proof Electrostatic spray for structural components. High quality optical lens for uniform and maximum light distribution. IP65 rated waterproof. Wide voltage: 100-277VAC and constant current design cETL, DLC, RoHS certified Surface mount, four mount bars, pole mount Lifespan: >50,000 Hrs. Warranty: 5 years. Application: Gas Stations, Workshops, Outdoor



### Appearance Parameters

Model	Lumen Output	Beam Angle	Certification	Product Size	Watts
NL-CP-50W	5000 Lumens	120°	DLC, cETL	265x265x90mm	50 Watts
NL-CP-75W	7500 Lumens	120°	DLC, cETL	265x265x90mm	75 Watts

### Technical Specification

Voltage: AC100-277V  
Power: 50W / 75W  
Power Factor: ≥0.95  
Beam angle: 120°  
CCT: 2700K - 6000K

Lifespan: 50000hrs  
CRI: >85  
IP65  
Housing colour: Black  
Black Diffuser: Clear

# LED Wall pack



Adjustable Angle wallpack

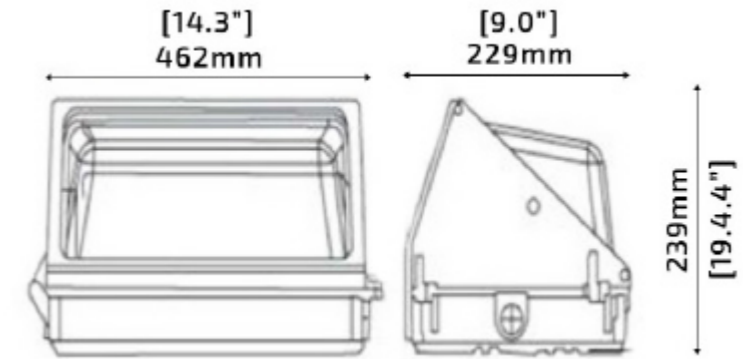
## Wallpack lights

**MODEL: NL-WP-40W-120W**

## Introduction

NORTHERN LIGHTING'S high efficiency wallpack lighting are durable and long lasting. They are maintenance free and come with a 5 year warranty. Protective powder coating for lasting appearance. IP65 waterproof design for outdoor use. Integrated thermal management system. Plastic or glass cover. Available in black and bronze colour.

Application: Widely used as exterior lighting for commercial and industrial areas such outside shops, parking lots, outside hotels, supermarkets and buildings etc.



## Appearance Parameters

## Technical Specification

Voltage: AC100-277V / 180-480VAC  
 Power: 60W / 80W / 100W / 120W  
 Power Factor:  $\geq 0.9$   
 Beam angle:  $140^\circ$   
 CRI:  $\geq 80$

Lifespan: 50000hrs  
 IP65 waterproof design  
 Efficacy : 130 Lumens /W  
 Surface color: Black or Bronze  
 Certification: DLC, cETL, LM79, LM80

Model	Watts	Colour Temp	Lumens	CRI
NL-WP-40W	40W		5,200 Lm	>80
NL-WP--80W	80W		10,400 Lm	>80
NL-WP-100W	100W	5000K-5650K	13,000 Lm	>80
NL-WP-120W	120W		15,600 Lm	>80
NL-WL-AD-30W	30W		6000 Lm	>80
NL-WL-AD-80W	80W		9000 Lm	>80

Shoebox  
Series/ Street  
lights



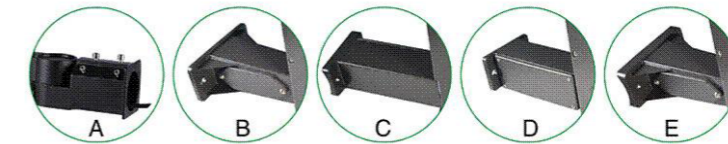
## NL LED Shoebox 180 Lumens/W

**MODEL: NL-SB-100W / 200W / 300W**

### Introduction

NORTHERN LED's high efficiency LED street lights are durable and long lasting. They are maintenance free and come with a 5 year warranty. Protective powder coating for lasting appearance. IP65 waterproof design for outdoor use. Integrated thermal management system. High lumen output 180 Lm/W. Colours available black, white and gray.

Application: Widely used as exterior lighting for commercial and industrial areas, stripmalls, parking lots, banks, outside hotels, supermarkets and buildings etc.



Available with various kinds of Brackets

### Technical Specification

Voltage: AC100-277V / 347V  
Power: 100W / 200W / 300W  
Power Factor:  $\geq 0.9$   
Beam angle: 120°

Lifespan: 50000hrs  
IP65 waterproof design  
Efficacy: 180 Lumens/Watt  
Certification: DLC, cUL, LM79, LM80

Model	Watts	Colour Temp	Lumens	CRI
NL-SB-100W	100W	3000K-8000K	18,000 Lm	>80
NL-SB-200W	200W	3000K-8000K	36,000 Lm	>80
NL-SB-300W	300W	3000K-8000K	54,000 Lm	>80



E-mail : [info@northernlighting.ca](mailto:info@northernlighting.ca)  
Tollfree : +1 800 8941 LED (533)